



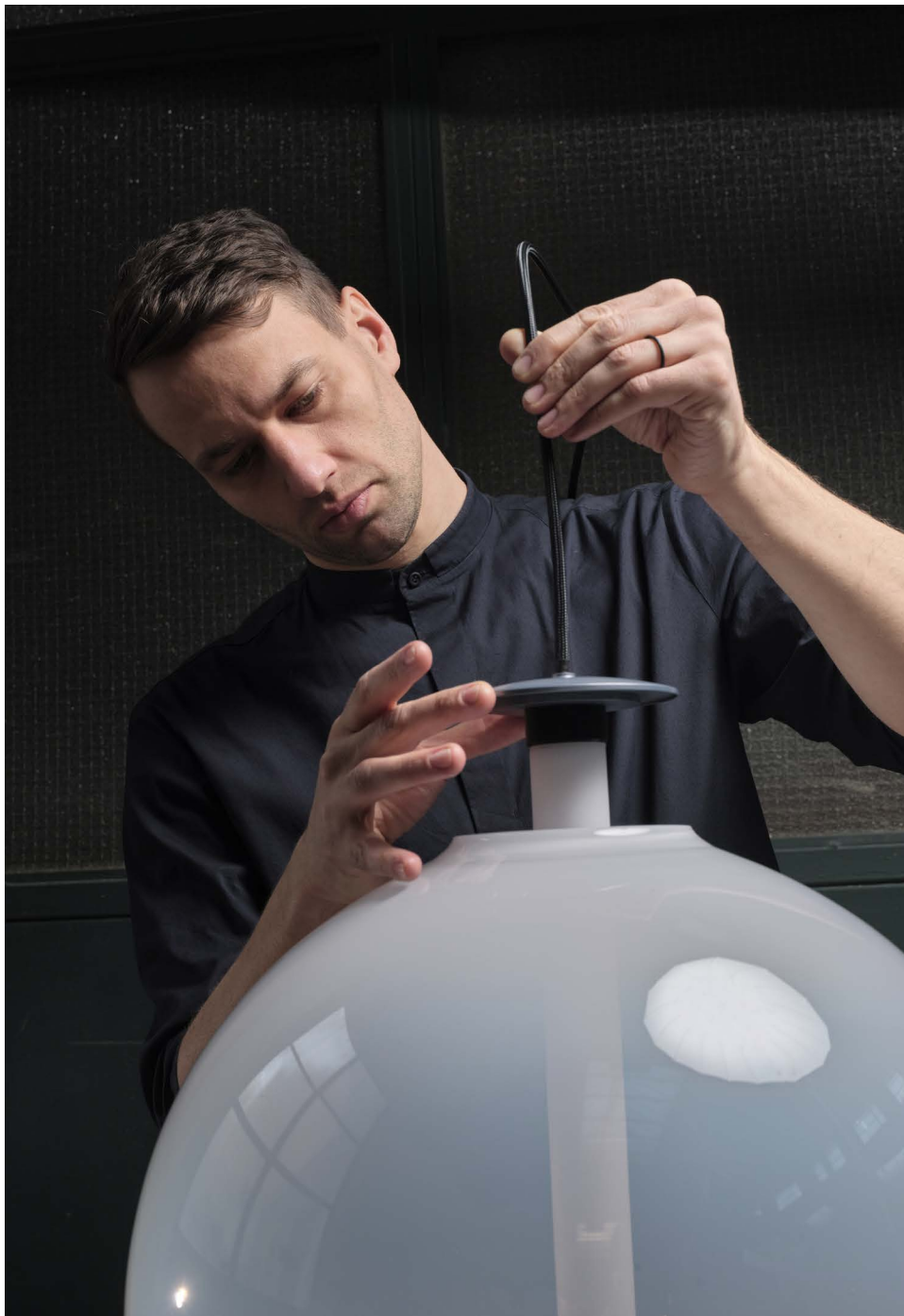
louoy

loomma





inspiration



## BUOY

A private harbor through day and night

Buoys mark safe zones and harbors with light – a sure guide for completing successful journeys. BOMMA Creative Director Václav Mlynář found inspiration in the symbolism and shape of buoys, designing lights that create a private harbor in your interior. “The Buoy Collection seeks a balance between sculpture and product design,” he explains. This exciting new addition combines classic geometric shapes, an unusual light source and monumental hand-blown crystal elements. Its clean minimalist shapes and monumental size allow the Buoy Collection to become a masterful focal point in any space. Buoys embody the best of glassmaking craftsmanship.

Design by Václav Mlynář





## BUOY

A private harbor through day and night

Buoy's diffusion light rod running through the glass body is made from sand-blasted polycarbonate that perfectly distributes the light. In its center are numerous LED chips, while the upper and lower part of the light are enclosed by a metal plate. The metal comes in either a silver or black version that can be further combined with various tones of glass. The colors of the glass enhance the minimalist form of the light, providing a choice of crystal clear glass, sophisticated smoke gradient or a delicate opaque veil.

Design by Václav Mlynář



Václav Mlynář, designer of the collection and BOMMA's Creative Director

production









Each piece from Buoy collection is mouthblown





The production of Buoy collection requires 3 pairs of hands due to its monumental size

projects





Interior by Monument office





Image by Studio Salaris



Smoke and white Buoy, Euroluce 2023



options



clear  
black



white  
silver



smoke  
silver

# pendant double cone

Glass options: clear, white, smoke  
Fitting options: silver, black

lomma



clear  
silver



white  
silver



smoke  
black

# pendant sphere

Glass options: clear, white, smoke  
Fitting options: silver, black

lomma

technical information

# BUOY

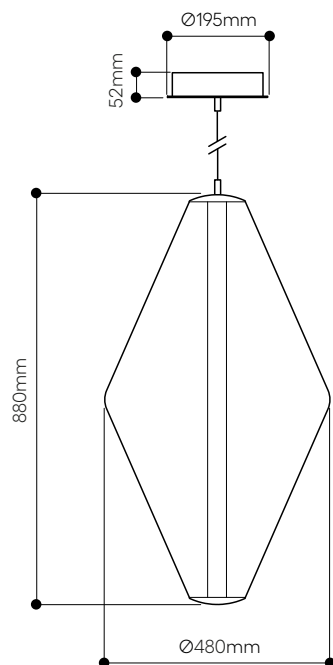
## pendant - double cone

Design by  
Václav Mlynář

### Handmade glass attributes

All Bomma products are hand-made from mouth-blown lead-free crystal. Therefore any small bubbles, non-melts and irregularities in the glass are both proof and a characteristic feature of this traditional craft.

The BuoY Collection is made by underlying colored glass technology. Thanks to the manual process of blowing underlay glass, each piece is an original. Individual products may vary slightly in intensity, hue or even color. This is an accompanying characteristic of the traditional underlay glass technology.



### LIGHTING DESCRIPTION

Size	dia 480 mm, H 880 mm dia. 18,9 inch, H 34,6 inch
Cable	black textile braid cable 2,5 m 98,4 inch
Weight	+/- 21 kg / 46,3 lb
Glass	mouth-blown lead-free crystal in clear, white, smoke
Mounting	black (=aluminium black elox), silver (=aluminium silver elox)
Canopy color	black (=matt powder coating)
Protection	IP 20
Nominal voltage	220-240V / A.C. 50-60 hz (EU) 110-120 V / A.C. 60 Hz (USA)
Class	II. EU / I. USA

### LIGHT SOURCE

Type	LED module 27W, 2700K, 2900lm, 700mA, 38,6V
Base	custom LED module
Voltage	220-240V, AC (EU) / 110-120V, AC (USA)
Temperature	2700 K
Color index	RA 90+
Dimming	Dimmable with TRIAC, ELV, 0-10V, PUSH, DALI, CASSAMBI

### PACKAGING

Material	Cardboard
Size	540 × 540 × 1030 mm 21,3 × 21,3 × 40,6 inch

Origin: traditionally produced in the Czech Republic  
Intellectual property license holder: Bomma Czech Republic (EU)  
Represented by BMRC group s.r.o.

CERTIFICATES



bomma

# BUOY

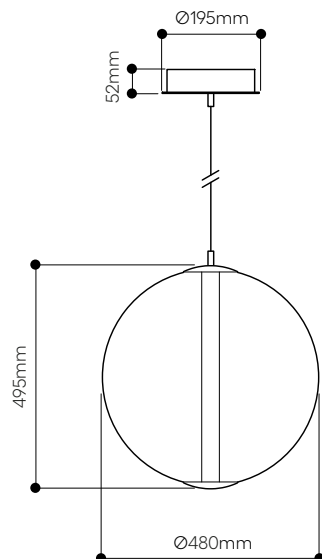
## pendant - sphere

Design by  
Václav Mlynář

### Handmade glass attributes

All Bomma products are hand-made from mouth-blown lead-free crystal. Therefore any small bubbles, non-melts and irregularities in the glass are both proof and a characteristic feature of this traditional craft.

The Buoy Collection is made by underlying colored glass technology. Thanks to the manual process of blowing underlay glass, each piece is an original. Individual products may vary slightly in intensity, hue or even color. This is an accompanying characteristic of the traditional underlay glass technology.



### LIGHTING DESCRIPTION

Size	dia 480 mm, H 495 mm dia. 18,9 inch, H 19,5 inch
Cable	black textile braid cable 2,5 m 98,4 inch
Weight	+ - 17 kg / 37,5 lb
Glass	mouth-blown lead-free crystal in clear, white, smoke
Mounting	black (=aluminium black elox), silver (=aluminium silver elox)
Canopy color	black (=matt powder coating)
Protection	IP 20
Nominal voltage	220-240V / A.C. 50-60 hz (EU) 110-120 V / A.C. 60 Hz (USA)
Class	II. EU / I. USA

### LIGHT SOURCE

Type	LED module 12,6W, 2700K, 2430lm,350mA, 36V
Base	custom LED module
Voltage	220-240V, AC (EU) / 110-120V, AC (USA)
Temperature	2700 K
Color index	RA 90+
Dimming	Dimmable with TRIAC, ELV, 0-10V, PUSH, DALI, CASSAMBI

### PACKAGING

Material	Cardboard
Size	780 × 660 × 660 mm 30,7 × 26 × 26 inch

Origin: traditionally produced in the Czech Republic  
Intellectual property license holder: Bomma Czech Republic (EU)  
Represented by BMRC group s.r.o.

CERTIFICATES



bomma



BMRC Group s.r.o.  
Hvězdova 1716/2b,  
Prague 4, 140 00,  
Czech Republic

[info@bomma.cz](mailto:info@bomma.cz)

step beyond