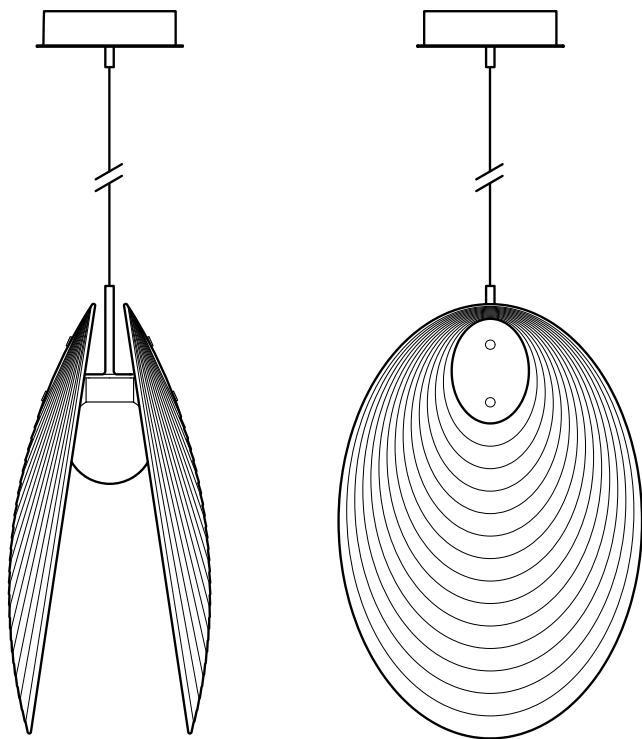


# ama

Design by Václav Mlynář



bomma

bomma.cz

TECHNICAL SHEET

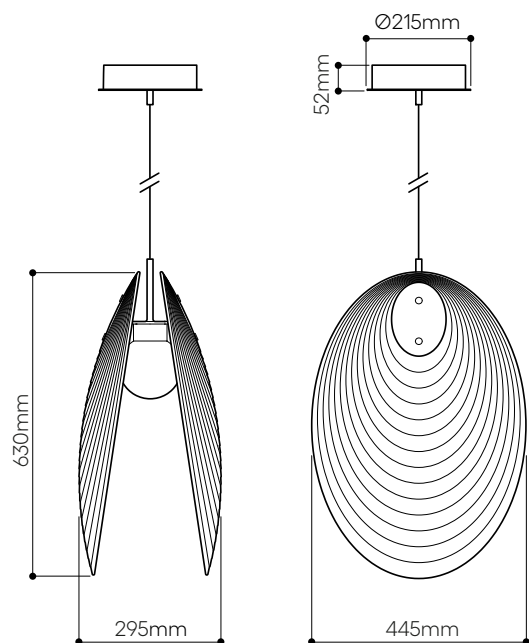
# AMA pendant - opened

Design by  
Václav Mlynář

## Handmade glass attributes

The Ama Collection is made by our in-house developed glassmaking technique. Over the course of two days, the glass is heated and gradually melts by its own weight into a prepared conical mold. Any irregularities in the glass are both proof and a characteristic feature of this unique glassmaking process.

Each piece of Ama collection is then defined by precise cut.



## LIGHTING DESCRIPTION

Size	dia 445 mm, H 630 mm dia 17,5 inch, H 24,8 inch
Cable	black textile braid cable 2,5 m / 98,4 inch
Weight	+ - 12 kg / 26,5 lb
Glass	lead-free crystal in clear matte, bronze matte and smoke
Mounting	black (=aluminium black elox)
Canopy color	black (=steel with black powder coating)
Protection	IP 20
Nominal voltage	220-240V / A.C. 50-60 hz (EU) 110-120 V / A.C. 60 Hz (USA)
Class	I. EU / I. USA

## LIGHT SOURCE

Type	LED module 12,6W, 2450lm, 350mA
Base	custom LED module
Voltage	220-240V, AC (EU) / 110-120V, AC (USA)
Temperature	2700 K
Color index	RA 90+
Dimming	Dimmable with TRIAC, ELV, 0-10V, PUSH, DALI, CASSAMBI

## PACKAGING

Material	Cardboard
Size	800 × 640 × 440 mm 31,5 × 25,2 × 17,3 inch

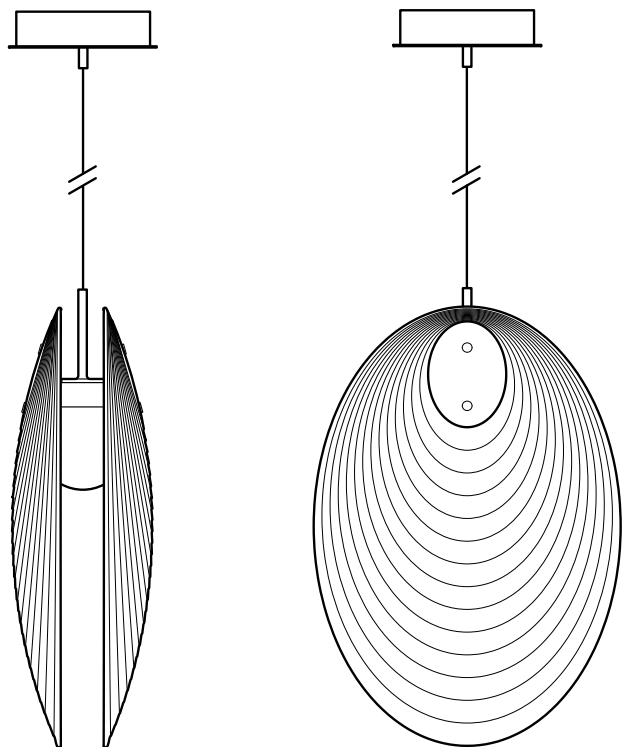
Origin: traditionally produced in the Czech Republic  
Intellectual property license holder: Bomma Czech Republic (EU)  
Represented by BMRC group s.r.o.

CERTIFICATES



# ama

Design by Václav Mlynář



bomma

bomma.cz

TECHNICAL SHEET

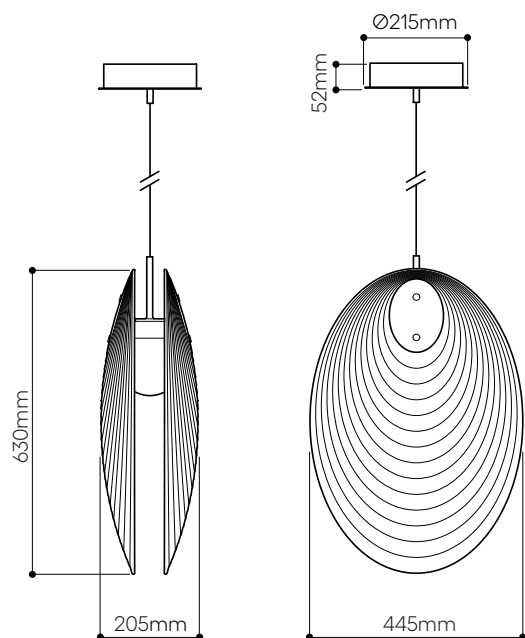
# AMA pendant - closed

Design by  
Václav Mlynář

## Handmade glass attributes

The Ama Collection is made by our in-house developed glassmaking technique. Over the course of two days, the glass is heated and gradually melts by its own weight into a prepared conical mold. Any irregularities in the glass are both proof and a characteristic feature of this unique glassmaking process.

Each piece of Ama collection is then defined by precise cut.



## LIGHTING DESCRIPTION

Size	dia 445 mm, H 630 mm dia 17,5 inch, H 24,8 inch
Cable	black textile braid cable 2,5 m / 98,4 inch
Weight	+ - 12 kg / 26,5 lb
Glass	lead-free crystal in clear matte, bronze matte and smoke
Mounting	black (=aluminium black elox)
Canopy color	black (=steel with black powder coating)
Protection	IP 20
Nominal voltage	220-240V / A.C. 50-60 hz (EU) 110-120 V / A.C. 60 Hz (USA)
Class	I. EU / I. USA

## LIGHT SOURCE

Type	LED module 12,6W, 2450lm, 350mA
Base	custom LED module
Voltage	220-240V, AC (EU) / 110-120V, AC (USA)
Temperature	2700 K
Color index	RA 90+
Dimming	Dimmable with TRIAC, ELV, 0-10V, PUSH, DALI, CASSAMBI

## PACKAGING

Material	Cardboard
Size	800 × 640 × 440 mm 31,5 × 25,2 × 17,3 inch

Origin: traditionally produced in the Czech Republic  
Intellectual property license holder: Bomma Czech Republic (EU)  
Represented by BMRC group s.r.o.

CERTIFICATES

