

°bloc micro ^{new}

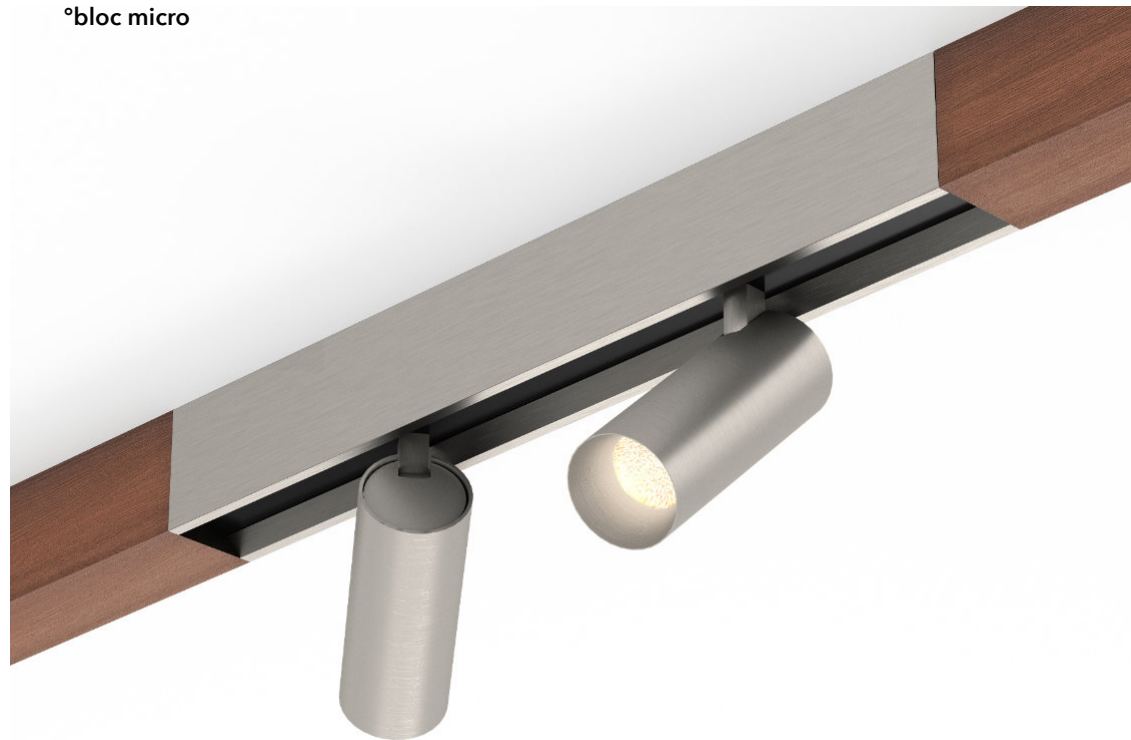
°bloc micro brings the same modular logic as °bloc to a smaller, more versatile format. Its compact linear form adapts effortlessly to any space, alone or in composition. The refined pairing of wood and metal remains at its core: warm, precise, and entirely considered.

Available as modular elements, monopoint or profile.

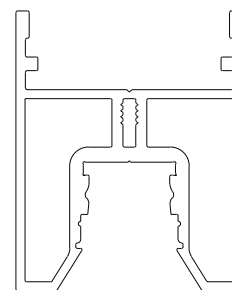




°bloc micro



scale 1/1 on print



37- 1.45

30 - 1.18

Choose your combination of wood and metal, define your layout, and set your light accents, precisely as you want them.

Modules are available with opal diffused light, double spot configurations, or UGR-controlling reflectors.

Even a 240V power connection is discreetly integrated into the slim profile, making bloc ideal for surface-mounted applications.

Within the same collection, long aluminium profiles (pendant or surface mounted) and monopoint versions are also available.

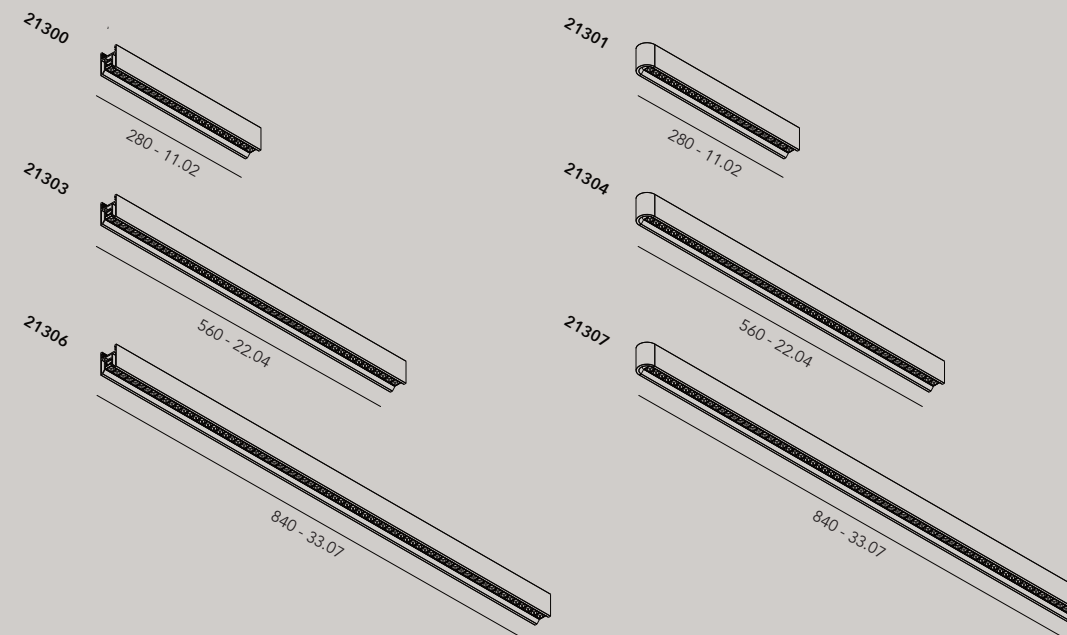
°bloc micro spot

materials	aluminum / PC
weight	280 / 560 / 840 gr - 0.61 / 1.10 / 1.85 lb
voltage	48 Vdc
wattage	15W - 30W - 45W
ugr	<19

IP20  CE ENEC



bloc micro spot 560



Order Code

21300.AA00.BBBB.CCC.DD	bloc micro spot 280
21301.AA00.BBBB.CCC.DD	bloc micro spot 280 end
21303.AA00.BBBB.CCC.DD	bloc micro spot 560
21304.AA00.BBBB.CCC.DD	bloc micro spot 560 end
21306.AA00.BBBB.CCC.DD	bloc micro spot 840
21307.AA00.BBBB.CCC.DD	bloc micro spot 840 end

AA	Finish	CCC	Optic	for 3000K, 280 mm
01	black	306	30° matt black reflector	1245 lm
02	white	506	50° matt black reflector	1274 lm
22	natural alu brushed	307	30° matt white reflector	1245 lm
23	brass alu brushed	507	50° matt white reflector	1274 lm
25	bronze alu brushed			
26	dark bronze alu brushed			
27	gun metal alu brushed			
28	nickel alu brushed			
32	copper alu brushed			
03	painting custom NCS color			

BBBB	Light
9527	cri 95, 2700K
9530	cri 95, 3000K

DD	Dimming
ND	no dim
DA	dali (0/1-10V through interface)
CA	casambi

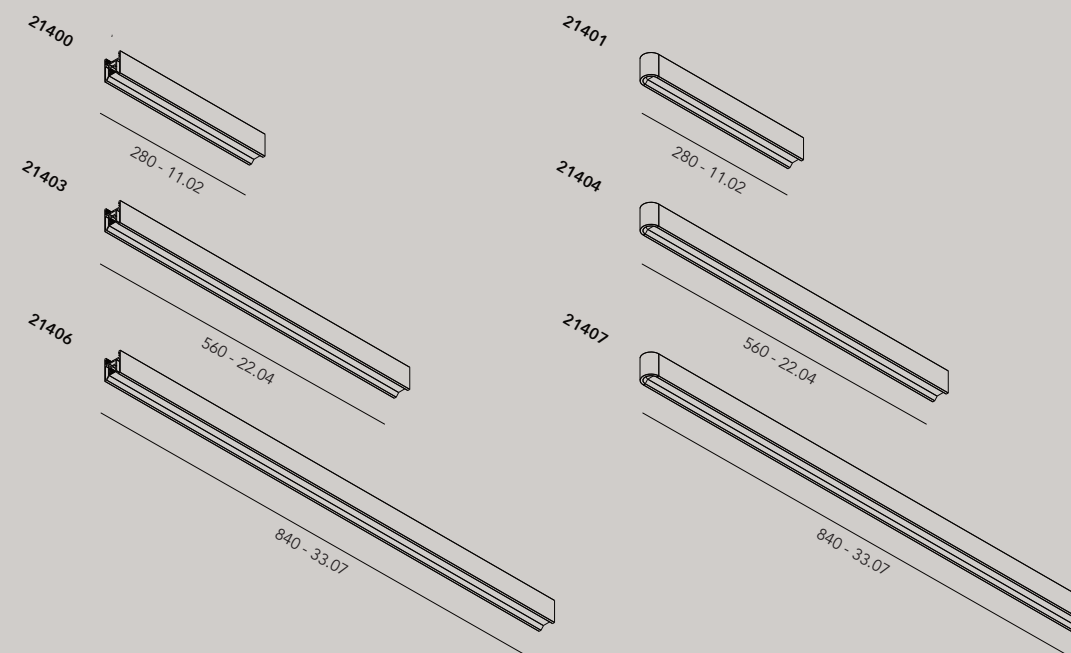
°bloc micro stripe

materials	aluminum / PC
weight	280 / 560 / 840 gr - 0.61 / 1.10 / 1.85 lb
voltage	48 Vdc
wattage	15W - 30W - 45W

IP20  CE ENEC



bloc micro stripe 280



Order Code

21400.AA00.BBBB.CCC.DD
 21401.AA00.BBBB.CCC.DD
 21403.AA00.BBBB.CCC.DD
 21404.AA00.BBBB.CCC.DD
 21406.AA00.BBBB.CCC.DD
 21407.AA00.BBBB.CCC.DD

bloc micro stripe 280
 bloc micro stripe 280 end
 bloc micro stripe 560
 bloc micro stripe 560 end
 bloc micro stripe 840
 bloc micro stripe 840 end

AA	Finish
01	black
02	white
22	natural alu brushed
23	brass alu brushed
25	bronze alu brushed
26	dark bronze alu brushed
27	gun metal alu brushed
28	nickel alu brushed
32	copper alu brushed
03	painting custom NCS color

BBBB	Light
9527	cri 95, 2700K
9530	cri 95, 3000K

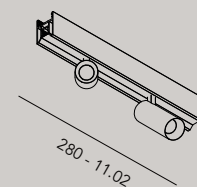
CCC	Optic	for 3000K, 280 mm
001	frosted ice opal	880 lm

DD	Dimming
ND	no dim
DA	dali (0/1-10V through interface)
CA	casambi

°bloc micro tubu30

materials aluminum / glass lens
 weight 500 gr / 1.10 lb
 voltage 48Vdc
 wattage 2x 5,5W
 ugr <19

IP20  CE ENEC



Order Code

21100.AA00.BBBB.CCC.DD

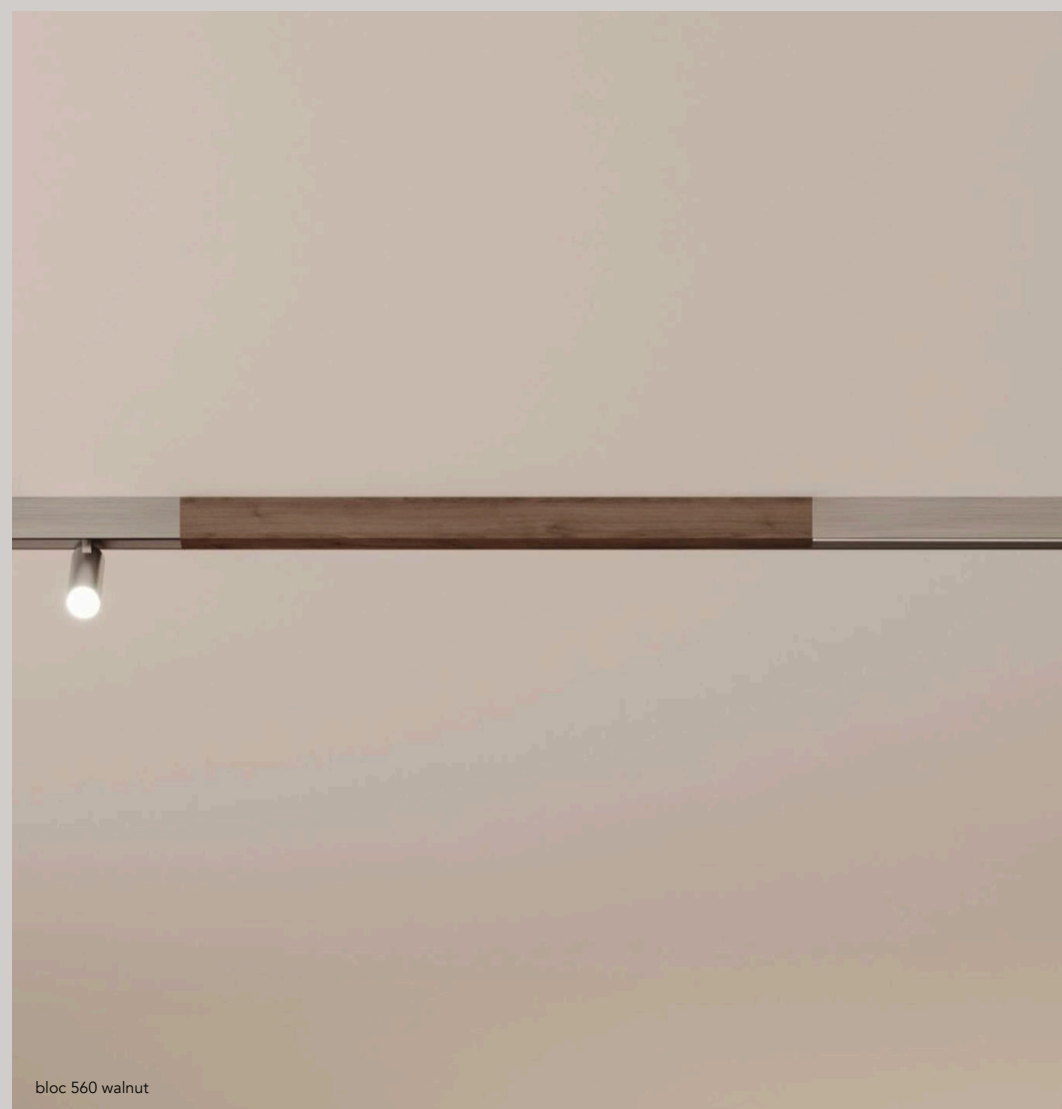
bloc micro - spot double °tubu 30 - 280 mm

AA	Finish	CCC	Optic	for 3000K, single spot
01	black	200	20°	280lm - 1700cd
02	white	300	30°	520lm - 1900cd
22	natural alu brushed	500	50°	570lm - 800cd
23	brass alu brushed			
25	bronze alu brushed			
26	dark bronze alu brushed			
27	gun metal alu brushed			
28	nickel alu brushed			
32	copper alu brushed			
03	painting custom NCS color			
BBBB	Light	DD	Dimming	
9527	cri 95, 2700K	ND	no dim	
9530	cri 95, 3000K	DA	dali (0/1-10V through interface)	
		CA	casambi	

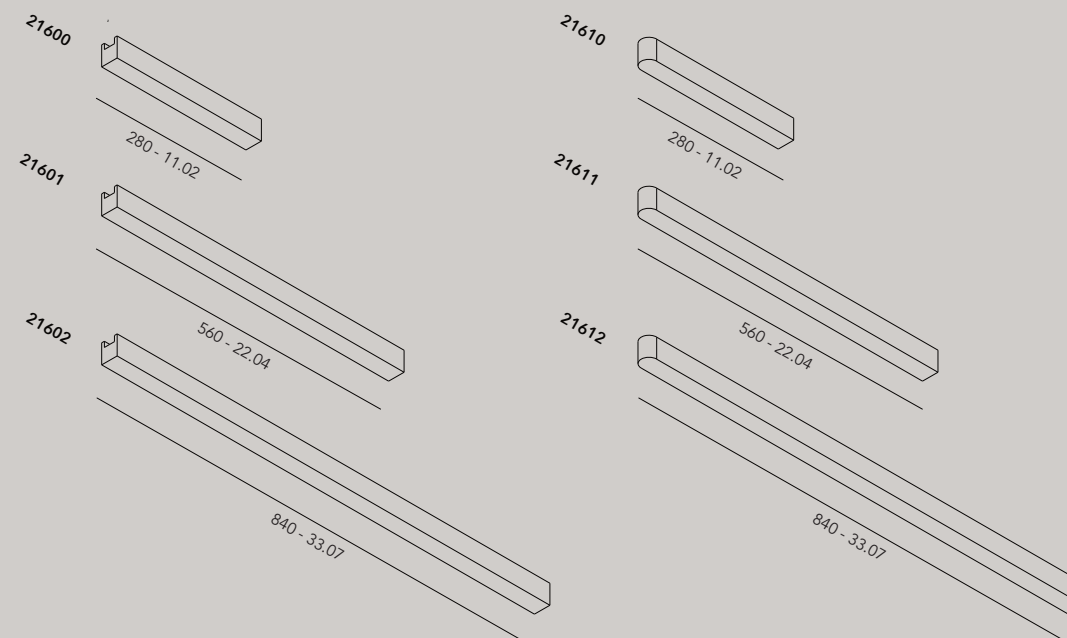
° bloc micro

materials oak / walnut
weight 175 / 350 / 525 gr - 0.38 / 0.77 / 1.15 lb

IP20  CE ENEC



bloc 560 walnut



Order Code

21600.AA00	bloc micro 280
21601.AA00	bloc micro 560
21602.AA00	bloc micro 840
21610.AA00	bloc micro 280 end
21611.AA00	bloc micro 560 end
21612.AA00	bloc micro 840 end

21621.AA00	bloc micro 560 incl. driver 100W (230V only)
21622.AA00	bloc micro 840 incl. driver 100W (230V only)
21623.AA00	bloc micro 560 end incl. driver 100W (230V only)
21624.AA00	bloc micro 840 end incl. driver 100W (230V only)
21626.AA00	bloc micro 840 end incl. driver 60W (110V)

AA	Finish
01	black
02	white
03	painting custom NCS color
40	walnut, natural waxed
41	oak natural, natural waxed
42	oak classic brown dye
43	oak intense black dye

Custom material on request
Oak can be dyed in reference color

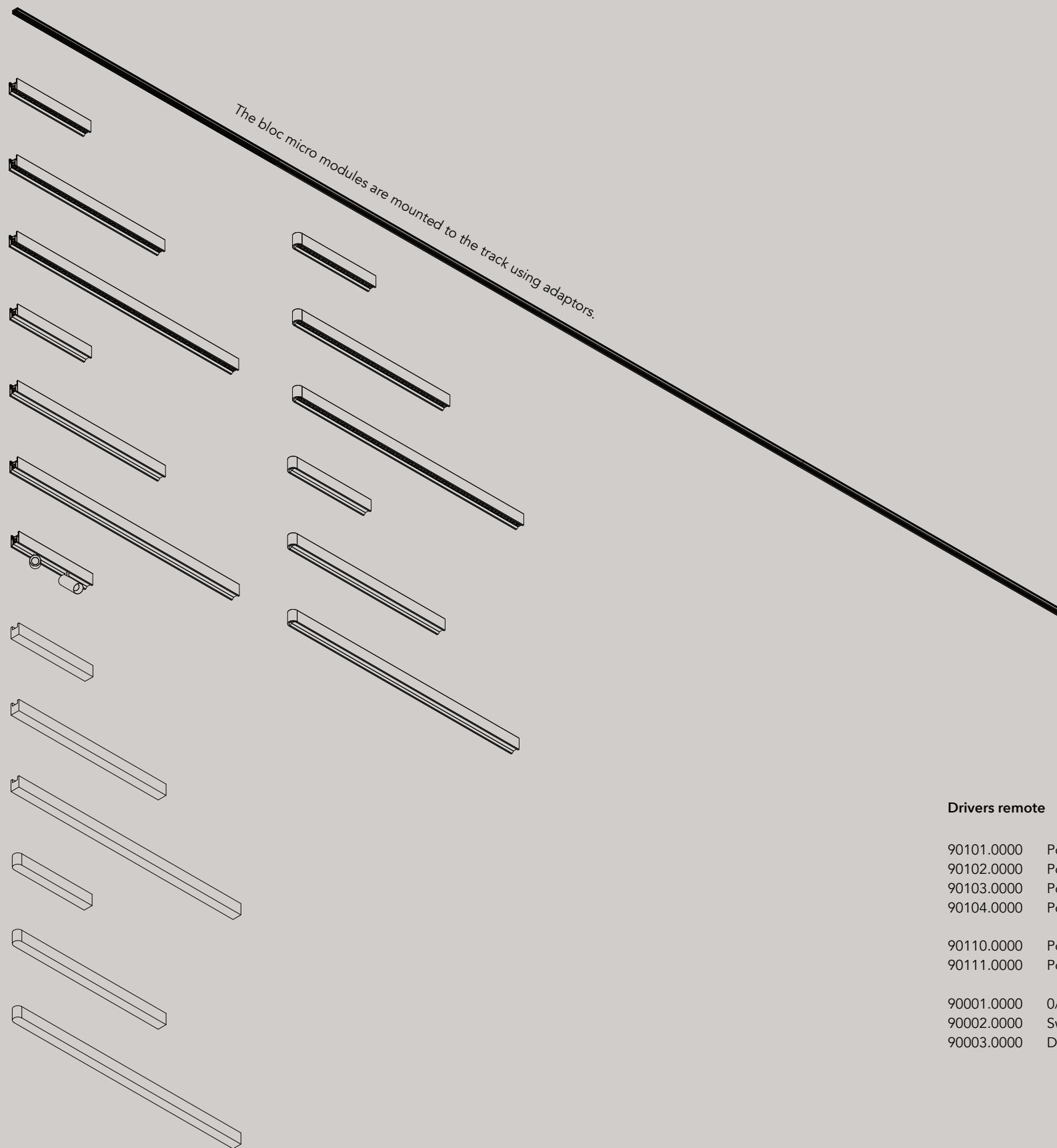
bloc micro spot

bloc micro stripe

bloc 2x tubu30

bloc

bloc round end



We recommend to always alternate between the materials.

There can be no guarantee that the drawing or pattern of the material will continue to run smoothly in the next element, since they are all natural materials with their own unique drawing.

It is recommended not to place two elements with light next to each other.



Track

Order Code

30001.AA00.BBBB line.m1

AA	Finish
01	black
BBBB	Length
1000	1000 mm
2000	2000 mm
3000	3000 mm
xxxx	xxxx mm (custom length)

Track Accessories

30221.0100	electrical feeder	
30230.0100	electrical jointing connector 180° black	

Drivers remote

90101.0000	Power supply, 48VDC, 60W - 90-305 VAC/50-60Hz - CE - cUL certified
90102.0000	Power supply, 48VDC, 100W - 90-305 VAC/50-60Hz - CE - cUL certified
90103.0000	Power supply, 48VDC, 150W - 90-305 VAC/50-60Hz - CE - cUL certified
90104.0000	Power supply, 48VDC, 240W - 90-305 VAC/50-60Hz - CE - cUL certified
90110.0000	Power supply, 48VDC, 60W - 120-240VAC/50-60Hz - CE - cUL listed
90111.0000	Power supply, 48VDC, 100W - 120-240VAC/50-60Hz - CE - cUL listed
90001.0000	0/1-10V to dali interface (up to 15 fixtures) 24vdc. *dali expander for more fixtures
90002.0000	Switch dim to dali interface (up to 64 fixtures) and DALI expander 200mA 100-240vac
90003.0000	Dali opto insulator for galvanic isolation

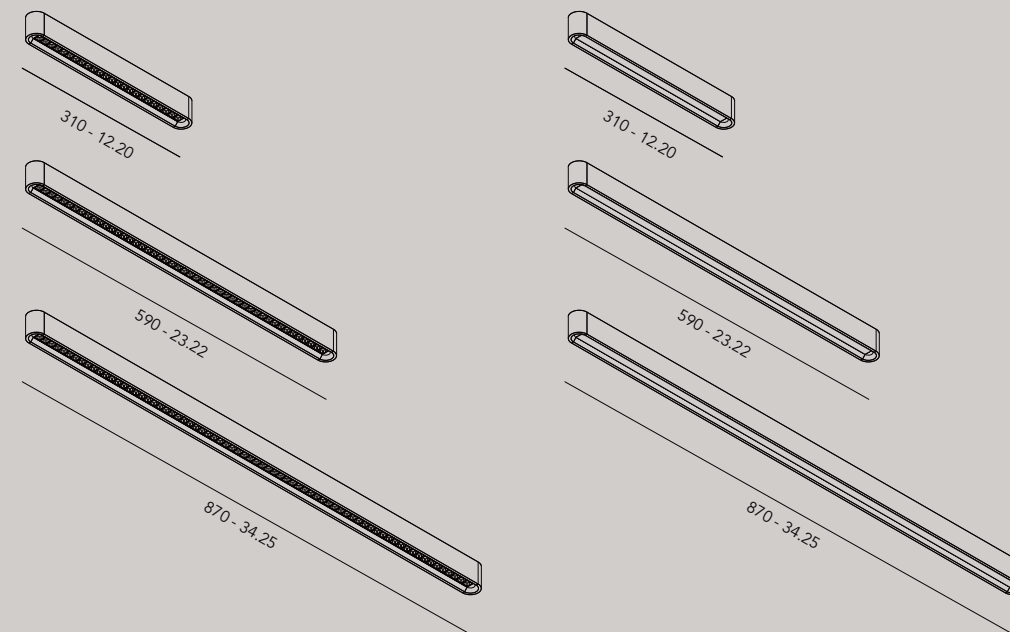
°bloc micro mono

materials	aluminum / PC
weight	280 / 560 / 840 gr - 0.61 / 1.10 / 1.85 lb
voltage	110-230 Vac
wattage	15W - 30W - 45W
dimming	dali, 0/1-10V, phase cut, casambi (remote driver required)
ugr	<19

IP20  CE ENEC



bloc 280 monopoint surface reflector



Order Code

21700.AA00.BBBB.CCC
21701.AA00.BBBB.CCC
21702.AA00.BBBB.CCC

bloc micro 280 monopoint (remote driver)
bloc micro 560 monopoint (remote driver)
bloc micro 840 monopoint (remote driver)

AA	Finish
01	black
02	white
22	natural alu brushed
23	brass alu brushed
25	bronze alu brushed
26	dark bronze alu brushed
27	gun metal alu brushed
28	nickel alu brushed
32	copper alu brushed
03	painting custom NCS color

BBBB	Light
9527	cri 95, 2700K
9530	cri 95, 3000K

CCC	Optic	for 3000K, 280 mm
001	frosted ice opal	880 lm
306	30° matt black reflector	1245 lm
506	50° matt black reflector	1274 lm
307	30° matt white reflector	1245 lm
507	50° matt white reflector	1274 lm

